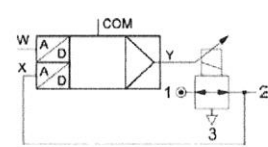


PROPORTIONAL VALVES

SENTRONIC^D - G 1/8 to G 3/8 tapped body or G 1/8 - G 1/4 subbase mounted body with digital pressure control


3 ports
FEATURES

- SENTRONIC^D is a highly dynamical 3-way proportional valve with digital control.
- SENTRONIC^D stands for:
 - Digital communication and control
 - Display (integrated)
 - Direct operated valve
 - Dynamic behaviour (high speed)
- A special feature of the SENTRONIC^D is its DaS software supplied for optimum adjustment over PC and viewing of setpoint and feedback signals.
- Other functions are valve diagnostics, parameter setting and maintenance.
- The valve's outlet pressure can also be adjusted over the integrated display and the function buttons.

GENERAL

Fluid	Air or inert gas filtered at 50 µm, without condensate, lubricated or unlubricated
Maximum allowable pressure (MAP)	6 to 13 bar
Control range	0-3 bar to 0-10 bar
Fluid temperature	0°C to +60°C
Ambient temperature	0°C to +50°C
Flow (Qv at 6 bar)	470 to 1300 l/min (ANR)
Setpoint	0 - 10 V (impedance 100 kΩ) 0 - 20 mA / 4 - 20 mA (impedance 250 Ω)
Hysteresis	< 1% of span
Linearity	< 0,5% of span
Repeatability	< 0,5% of span
Minimum setpoint	100 mV (0,2 mA/4,2mA) with shutoff function
Minimum outlet pressure	1% of span

CONSTRUCTION

Body	aluminium
Internal parts	POM (polyacetal)
Seals	NBR (nitrile) and FPM (fluoroelastomer)

ELECTRICAL CHARACTERISTICS

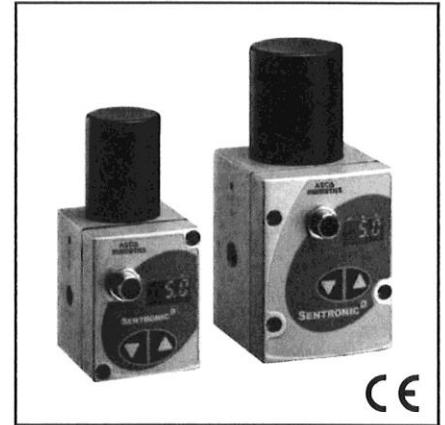
nominal diameter DN (mm)	stabilised voltage *	max. power (W)	max. current (mA)	insulation class	degree of protection	electrical connection
4	24 V = +/-10%	21	850	H	IP 65	5-pin M12 connector (not supplied)
8		40	1650			

* Max. ripple: 10 %

SPECIFICATIONS

Ø connection	Ø nominal diameter DN (mm)	flow	
		K _v coefficient (Nm ³ /h)	at 6 bar (l/min) (ANR)
G 1/8 G 1/4	4	0,43	470
G 1/4 G 3/8	8	1,2	1300

Test conditions according to ISO 8778: temperature: 20 °C, relative inlet pressure: 6 bar, relative outlet pressure: 5 bar

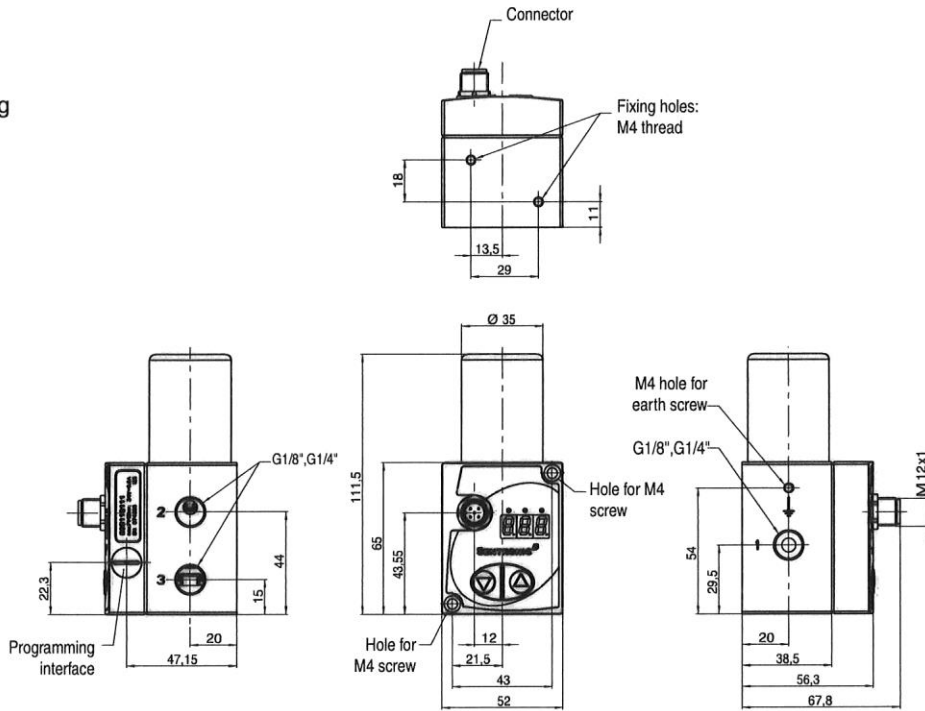


DIMENSIONS (mm), WEIGHT (kg)

Inline version

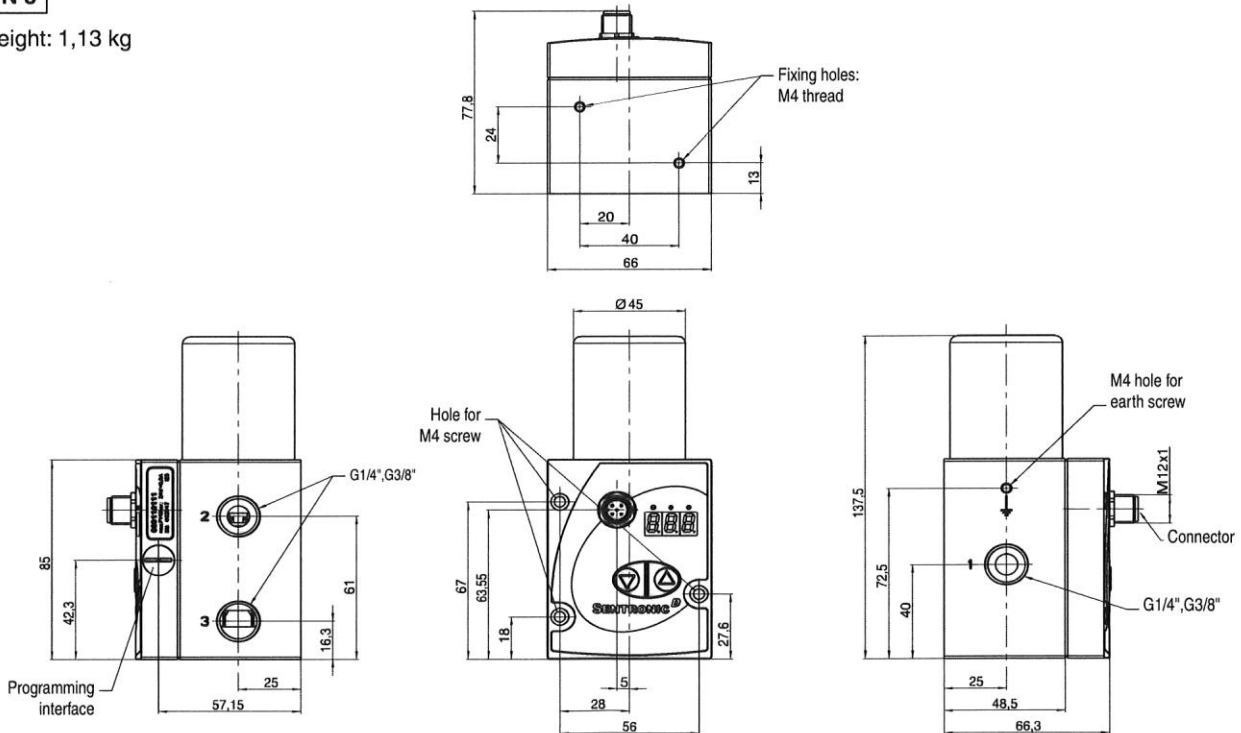
DN 4


Weight: 0,56 kg



DN 8

Weight: 1,13 kg

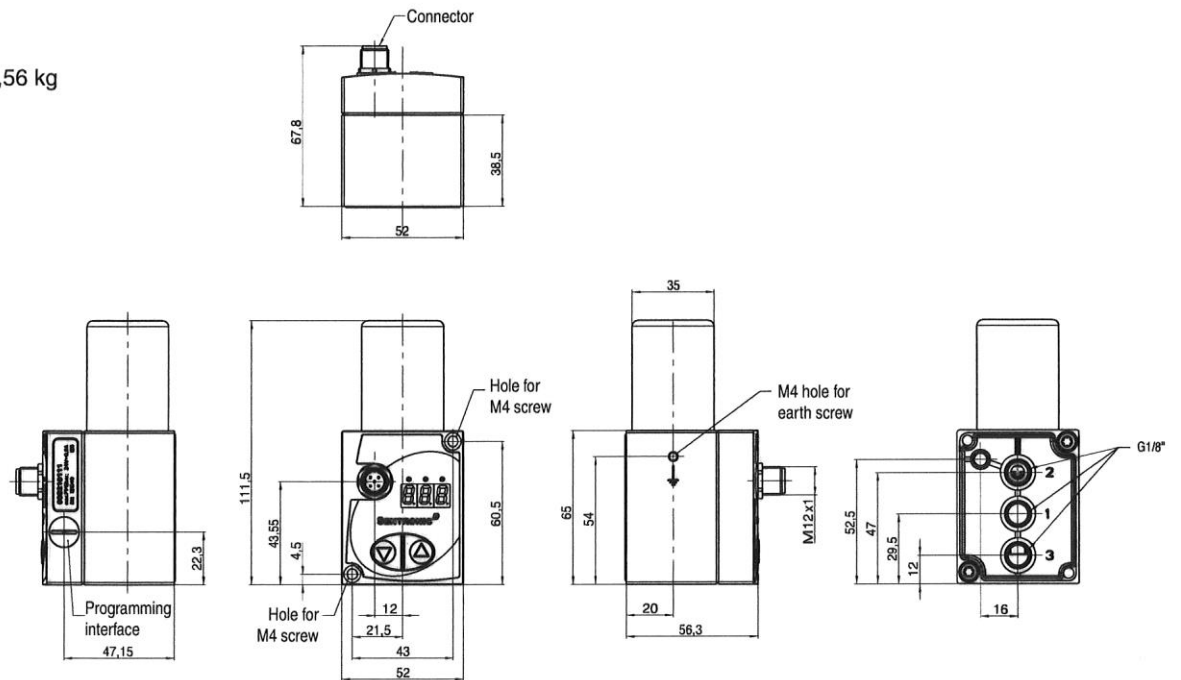


DIMENSIONS (mm), WEIGHT (kg) 

Subbase version

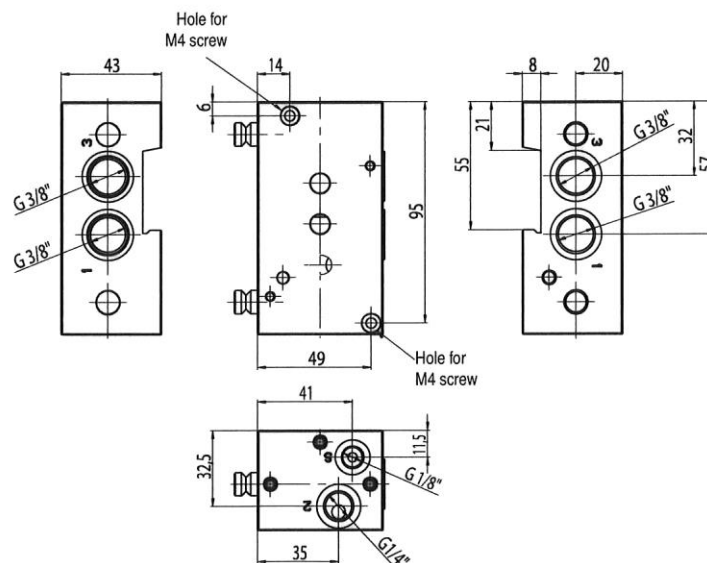
DN 4

Weight: 0,56 kg



DN 4

Subbase

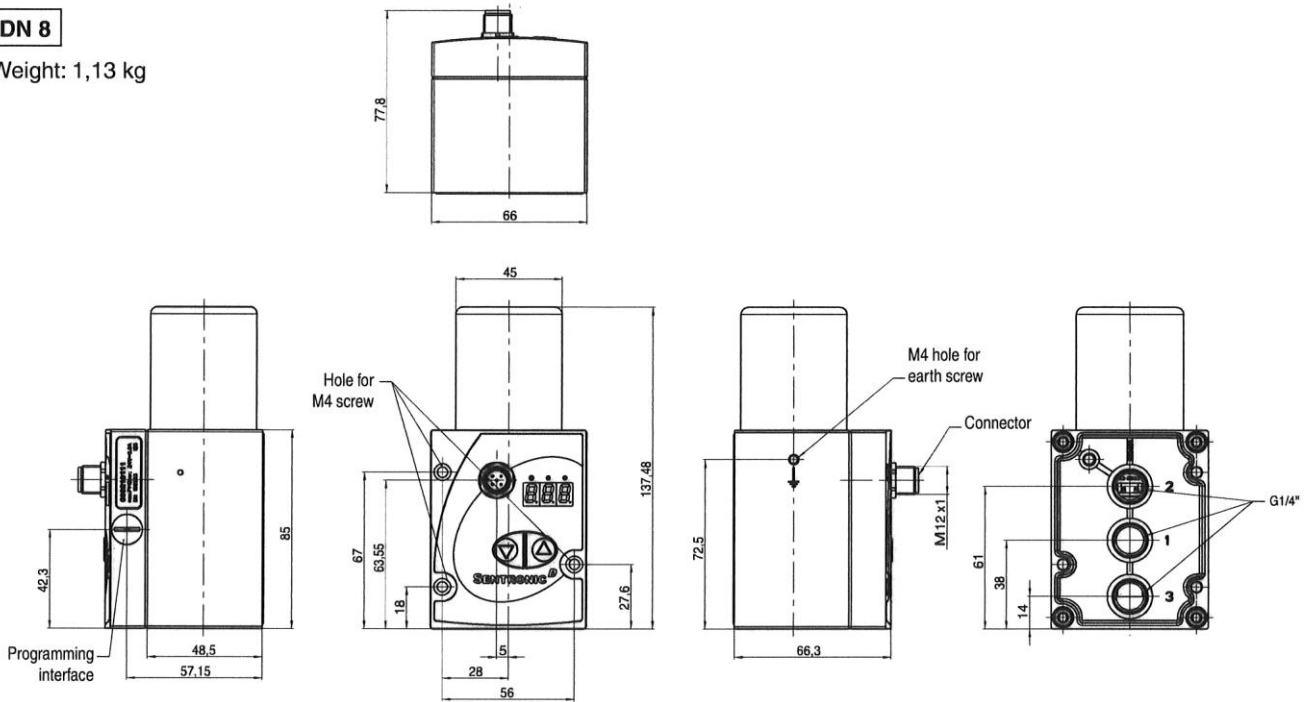


DIMENSIONS (mm), WEIGHT (kg)

Subbase version

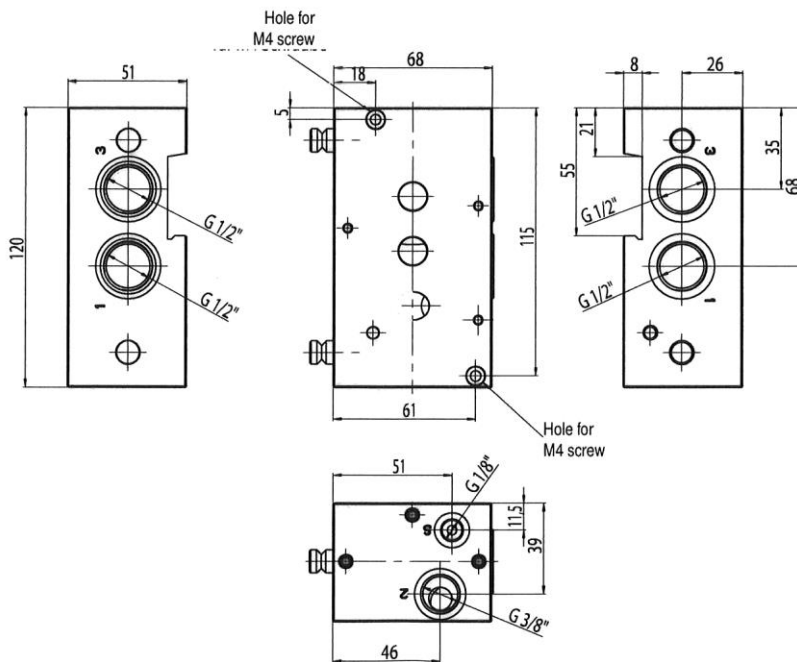
DN 8

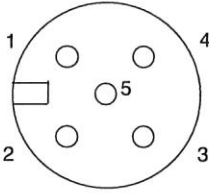
Weight: 1,13 kg



DN 8

Subbase



CONNECTOR PINNING / CABLE WIRING


pin	description	5-wire cable (2m)	6-wire cable (2m, 10m)
1	24V voltage supply	brown	brown
2	Analog setpoint input	white	white
3	Supply ground	blue	green
	Analog ground [*]		yellow
4	Analog output (feedback)	black	pink
5	Digital output (pressure switch)	grey	grey
Body	EMC shield	shield	shield

^{*}) A 6-wire cable with separate analog ground is used for cable lengths over 2 m to set off the voltage drop for the setpoint.

ACCESSORIES

description
Straight M12 female connector, 5 pins, with screw terminals
Right-angle M12 female connector, 5 pins, with screw terminals
Supply cable 2 m, 2 x 0,25 mm ² , straight connector
Supply cable 2 m, 2 x 0,25 mm ² , right-angle connector
Supply cable 5 m, 6 x 0,56 mm ² , straight connector
Supply cable 5 m, 6 x 0,56 mm ² , right-angle connector
Supply cable 10 m, 6 x 0,56 mm ² , straight connector
Supply cable 10 m, 6 x 0,56 mm ² , right-angle connector
RS 232 cable converter; 2m cable with 9-pin Sub-D (plug connector)
RS 232 cable converter; 2 m cable with 9-pin Sub-D (screw connector)
Joinable subbase for 608 (DN 4 mm) with G 3/8", common supply and exhaust
Joinable subbase for 609 (DN 8 mm) with G 1/2", common supply and exhaust
<i>DaS Light</i> : Data Acquisition Software for SENTRONIC D - basic parameters - CD-ROM
<i>DaS Expert</i> : Data Acquisition Software for SENTRONIC D - full parameters - CD-ROM